

“ABU” TYPE 8½" X 12" BRAKE CYLINDERS

ABU Brake Cylinder, Part No. 578329
ABU-1 Brake Cylinder, Part No. 578330
ABU-2 Brake Cylinder, Part No. 578331
ABU-3 Brake Cylinder, Part No. 578715
ABU-4 Brake Cylinder, Part No. 661161
ABU-5 Brake Cylinder, Part No. 661163

DECEMBER 2007

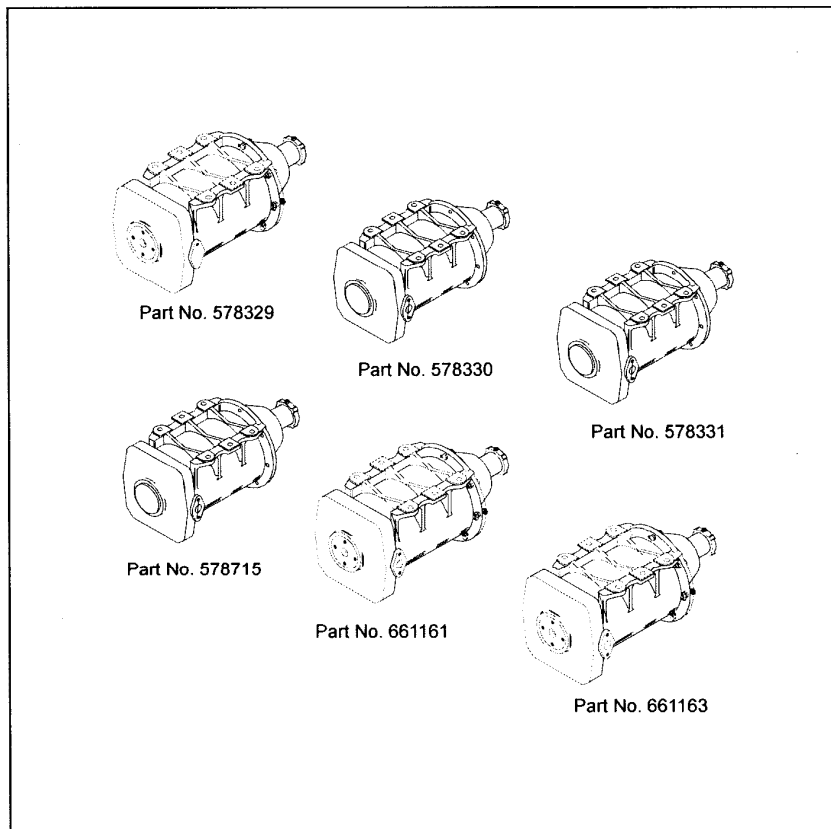
Supersedes issue dated October 2001

IMPORTANT: This catalog is published as an aid in identifying the detail parts that make up this complete device. Refer to applicable maintenance publication BEFORE attempting either the disassembly or the assembly of this device.

! WARNING: At the time any part is replaced in this device, the operation of the complete device must pass a series of tests prescribed in the latest issue of the applicable Wabtec Test Specification. At the time this device is applied to the brake equipment arrangement, a stationary vehicle test must be made to ensure that this device functions properly in the total brake equipment arrangement. (Consult your local Wabtec Representative for identity of the test specification, with latest revision date, that covers this device.)

IMPORTANT: Only Wabtec supplied parts are to be used in the repair of this device in order to obtain satisfactory operation. Commercially available non-O.E.M. parts are unacceptable.

NOTE: The part numbers and their associated descriptions are the property of Wabtec Corporation and may not be replicated in any manner or form without the prior sole written consent of an Officer of Wabtec Corporation.



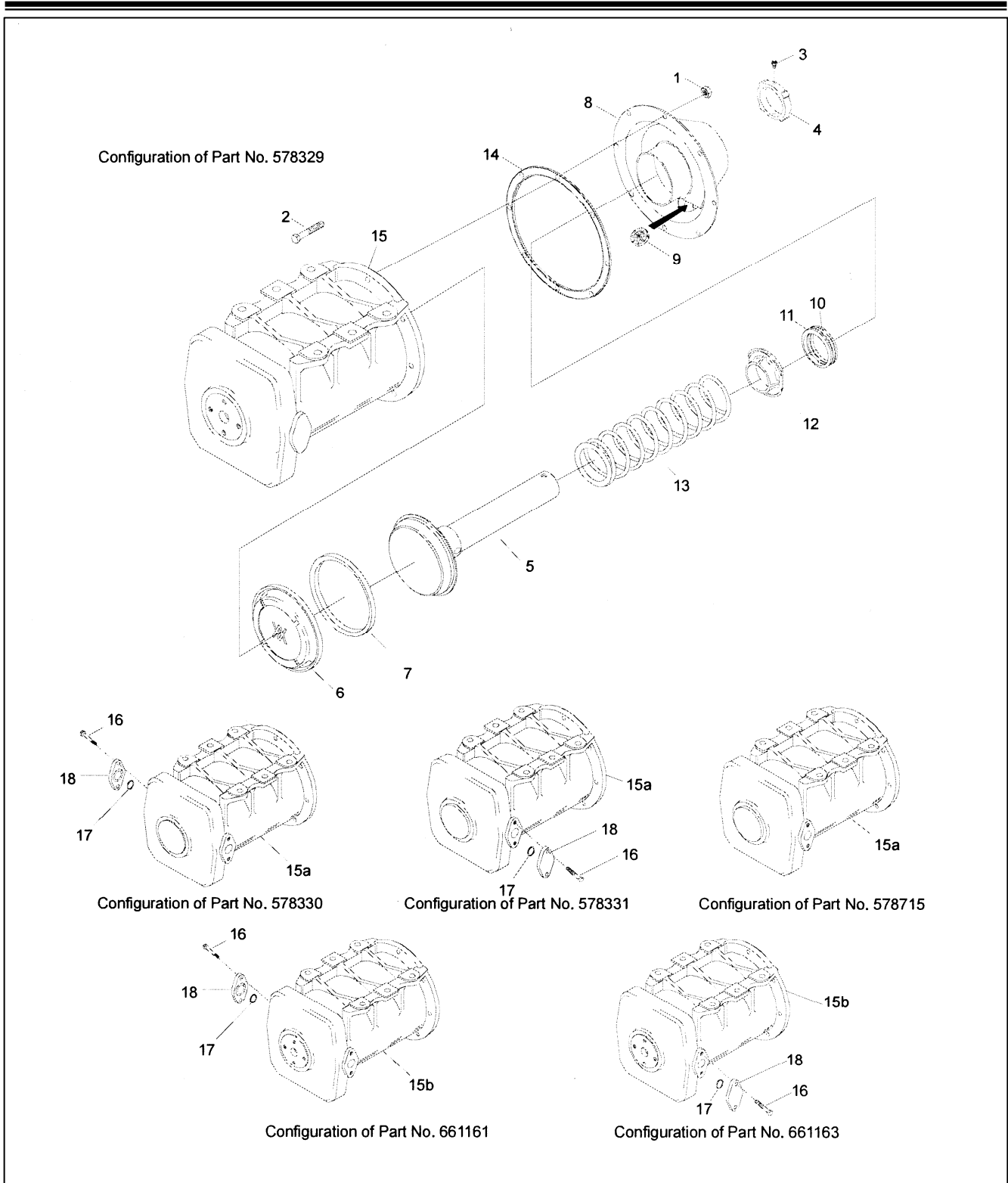


Figure 1 – Part Nos. 578329, 578330, 578331 & 578715

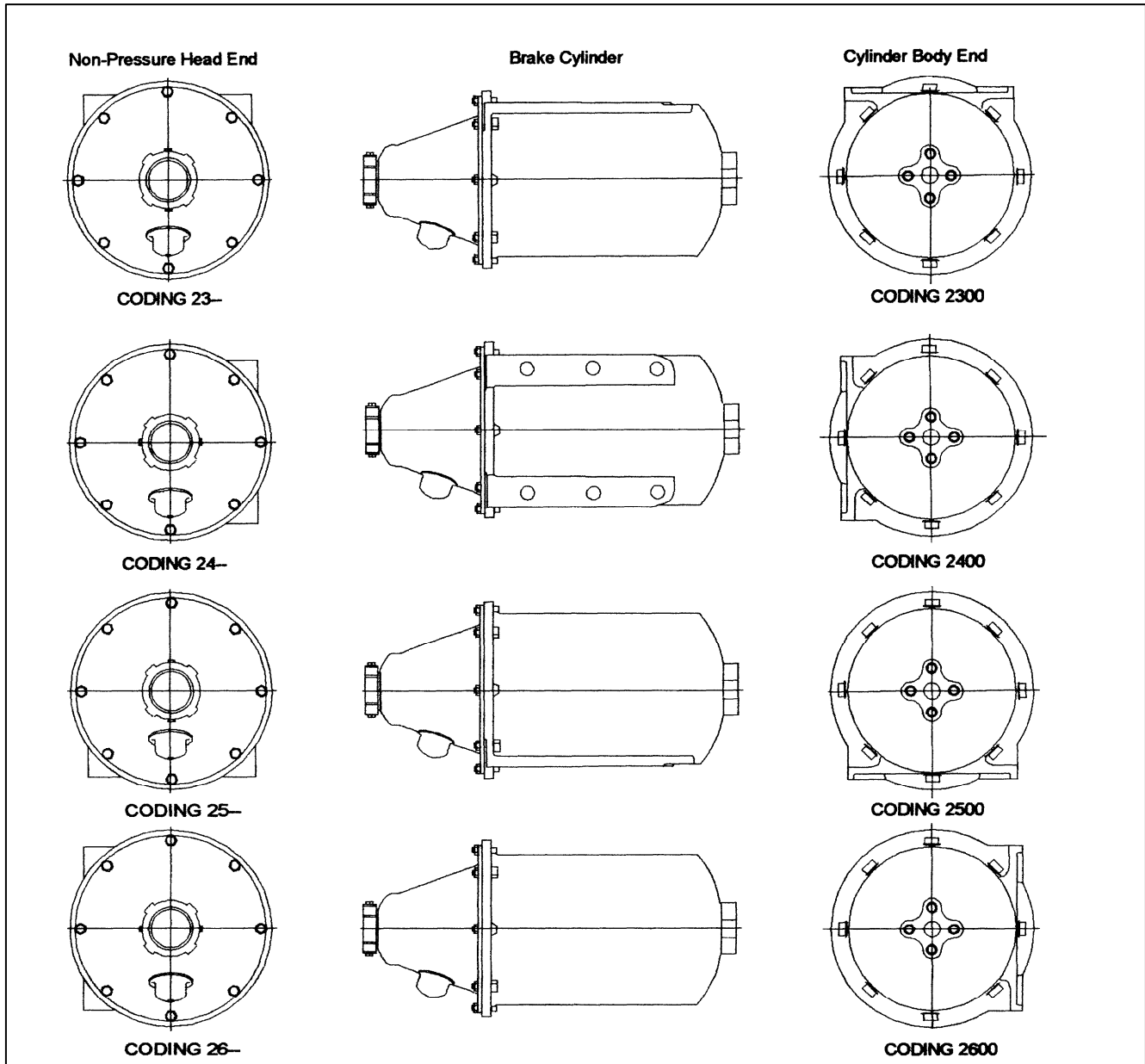
ABU TYPE 8½" X 12" BRAKE CYLINDERS - Figure 1

Figure & Ref. No.	Customer Part No.	Wabtec Part No.	Description	Qty.
1 –		• 578329	ABU, 8½" X 12" BRAKE CYLINDER ASSEMBLY (Includes Ref. Nos. 1 to 15)	Ref.
1 –		• 578330	ABU-1, 8½" X 12" BRAKE CYLINDER ASSEMBLY (Includes Ref. Nos. 1 to 14 & 15a to 18)	Ref.
1 –		• 578331	ABU-2, 8½" X 12" BRAKE CYLINDER ASSEMBLY (Includes Ref. Nos. 1 to 14 & 15a to 18)	Ref.
1 –		• 578715	ABU-3, 8½" X 12" BRAKE CYLINDER ASSEMBLY (Includes Ref. Nos. 1 to 14 & 15a)	Ref.
1 –		• 661161	ABU-4, 8½" X 12" BRAKE CYLINDER ASSEMBLY (Includes Ref. Nos. 1 to 14 & 15b to 18)	Ref.
1 –		• 661163	ABU-5, 8½" X 12" BRAKE CYLINDER ASSEMBLY (Includes Ref. Nos. 1 to 14 & 15b to 18)	Ref.
1 – 1		502369	.NUT, ⅜" Hex	8
1 – 2		523364	.BOLT, ⅜-16 x 1¼" Hex	8
1 –		* 578371	.PISTON AND HOLLOW ROD ASSEMBLY (Includes Ref. Nos. 3 to 5)	Ref.
1 – 3		571207	..SCREW, ⅝-18 x ½" Self-Locking Set	2
1 – 4		571206	..COLLAR, Hollow Rod	1
1 – 5		578372	..PISTON AND HOLLOW ROD	1
1 – 6		* 571105	.CUP, Piston Packing	1
1 – 7		* 567634	.RING, Guide	1
1 – 8		* 569028	.HEAD, Non-pressure (Includes Ref. No. 9)	1
1 – 9		94814	..STRAINER	1
1 – 10		* 562813	.HOLLOW ROD PACKING SEAL & RETAINER (Includes Ref. No. 11)	1
1 – 11		562812	..SEAL, Packing	1
1 – 12		* 566894	.SEAT, Spring	1
1 – 13		Δ* 1110	.SPRING, Release	1
1 – 14		94820	.GASKET, Non-pressure Head	1
1 – 15		578368	.BODY, Cylinder (used on Part No. 578329 only)	1
1 – 15a		578717	.BODY, Cylinder (used on Part Nos. 578330, 578331, & 578715)	1
1 – 15b		661162	.BODY, Cylinder (used on Part Nos. 661161 & 661163)	1
1 – 16		305380	.BOLT, ½-13 x 1¼" Hex	2
1 – 17		93841	.GASKET, ¾" Flange Fitting	1
1 – 18		510020	.PAD, Blanking	1

• See Coding Information on Page 4. Part No. must include a 4-digit suffix code.

* See the non-pressure head & piston assembly kit information on Page 5.

Δ See last page for spring identification.

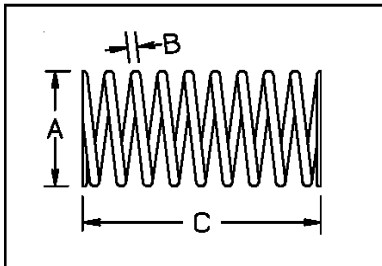

Figure 2 – Coding for Cylinders
NOTES

Coding should be determined by looking at the cylinder from the non-pressure head end.
 The first two digits of the code indicate the relation of the body to the non-pressure head.
 The last two digits of the code will be -00, indicating that non-pressure head and cylinder body are integral.

NON-PRESSURE HEAD & PISTON ASSEMBLY KIT, PART NO. 582657

Figure & Ref. No.	Customer Part No.	Wabtec Part No.	Description	Qty.
1 –		578371	PISTON & HOLLOW ROD ASSEMBLY (Includes Ref. Nos. 3 to 5)	Ref.
1 – 6		571105	CUP , Piston Packing	1
1 – 7		567634	RING , Guide	1
1 – 8		569028	HEAD , Non-pressure (Includes Ref. No. 9)	1
1 – 10		562813	HOLLOW ROD PACKING SEAL & RETAINER (Includes Ref. No. 11)	1
1 – 12		566894	SEAT , Spring	1
1 – 13		1110	SPRING , Release	1
1 – 14		94820	GASKET , Non-pressure Head	1

SPRING IDENTIFICATION



The following table is shown to enable identification of the springs used in the devices cataloged herein. It is based on calculated figures and the actual spring will vary somewhat, due to the small differences in wire, coil diameter, number of turns, etc. This tabulation is intended for identification only and should not be used for any other purpose. It does not represent a specification for the springs mentioned. For proper operation of this device ONLY springs supplied by Wabtec Corporation are to be used in locations illustrated herein.

Part No.	Approx. Outside Dia. "A" In.	Approx. Wire Dia. "B" In.	Approx. Free Height "C" In.	Approx. No. Turns *	Material
1110	4 ⁹ / ₃₂	1 ¹ / ₃₂	29 ⁷ / ₈	20	Steel

*Note: Number of turns counted from extreme ends of wire.
All dimensions are shown in inches.

WABCO Freight Car Products

www.wabtec.com

1001 Air Brake Avenue
Wilmerding, Pennsylvania 15148
(412) 825-1000 • Fax (412) 825-1019

475 Seaman Street
Stoney Creek, Ontario L8E 2R2
(905) 561-8700 • Fax (905) 561-8705