

H-TYPE RELAYAIR® VALVE

DIAPHRAGM FOLLOWER MODIFICATION

NOVEMBER, 1996

The H-5 Relayair Valve rubber diaphragm has been exhibiting signs of accelerated wear in certain valves. Upon investigation, it has been determined that the diaphragm follower, Part No. 527572, can cause premature wear in the Relayair Valves of higher pressure settings.

The following modification is being made to the Relayair Valve to enhance the reliability of the valves by reducing diaphragm wear.

As seen in Figure 1, the previous style diaphragm follower has a protruding edge on the top side of the outer diameter. The protruding edge comes in contact with the underside of the rubber diaphragm, which can lead to accelerated wear on the diaphragm. This situation is not present in the new design. As illustrated in Figure 2, the new design has reduced the height of the outer diameter so that the above mentioned edge will not contact the rubber diaphragm. Eliminating the contact between the two components should significantly increase the service life of the H-5 Relayair Valve.

The configuration control level of the new style diaphragm follower has been raised to "D". The letter "D" will be stamped on the top surface of the follower, as seen in Figure 2. All existing followers must be modified to conform to the latest design, the first time any work is performed on this device. Only use diaphragm followers which are stamped with a "D" in all H-Type Relayair Valves.

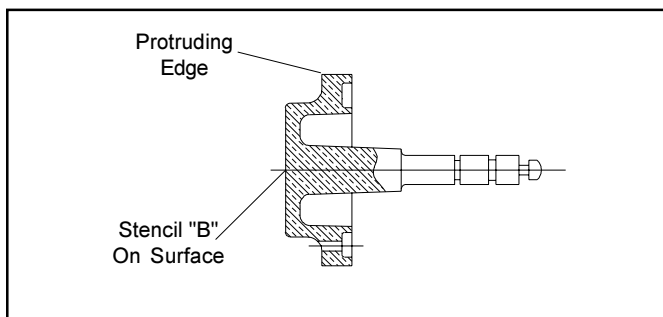


Figure 1 - Part No. 527572
Previous Style Diaphragm Follower

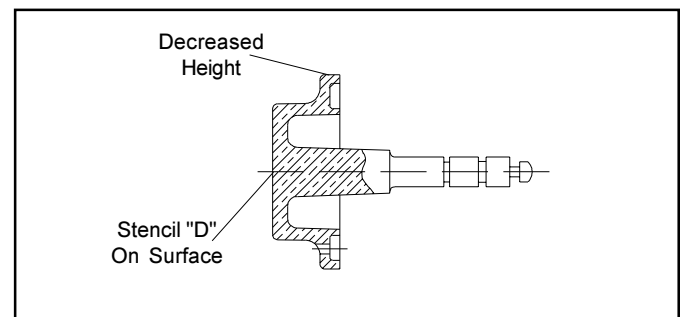


Figure 2 - Part No. 527572
New Design Diaphragm Follower

Wabtec Corporation

1001 Air Brake Avenue
 Wilmerding, Pennsylvania 15148
 (412) 825-1000 • Fax (412) 825-1019