

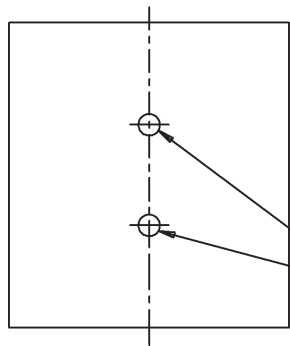
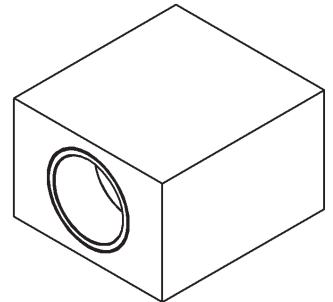
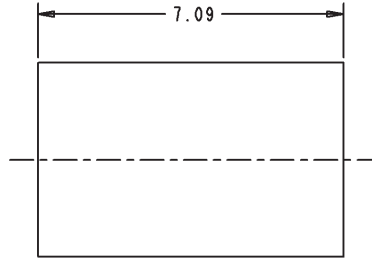
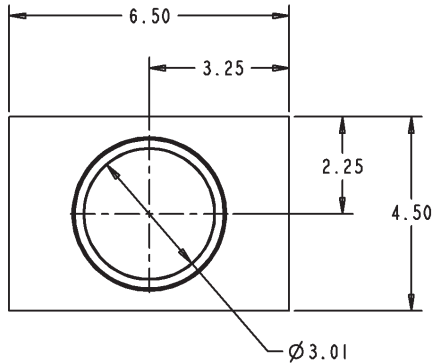
4

3

2

1

CURRENT REVISION	REV	DESCRIPTION	DATE	BY	APPR
A	A	REVISED TO AGREE W/ C-0664257	F020123B	LJA	GMS





 DRAIN HOLES  
 THIS SIDE DOWN WHEN  
 ASSEMBLED TO RAMP CAR

THIS DOCUMENT CONTAINS PROPRIETARY AND CONFIDENTIAL DATA OF WABCO. IT IS THE PROPERTY OF WABCO AND IS NOT TO BE REPRODUCED OR TRANSMITTED IN ANY FORM OR BY ANY MEANS, ELECTRONIC OR MECHANICAL, INCLUDING PHOTOCOPYING, RECORDING, OR BY ANY INFORMATION STORAGE AND RETRIEVAL SYSTEM, WITHOUT THE WRITTEN PERMISSION OF THE COMPANY.

IMPORTANT: DO NOT ATTEMPT TO DISASSEMBLE OR ASSEMBLE THIS DEVICE WITHOUT PRIOR THOROUGH STUDY OF THE APPROPRIATE WABCO OPERATION AND MAINTENANCE MANUAL. THIS DRAWING WAS PREPARED SOLELY FOR THE PURPOSE OF PROVIDING THE USER WITH BASIC APPLICATION DATA. IT DOES NOT CONTAIN ALL THE REQUIRED SPECIAL INSTALLATION AND MAINTENANCE INFORMATION FOR THE PROPER FUNCTIONING OF THIS PRODUCT.

BUSHED PIVOT BLOCK FOR INTERMODAL RAMP

PIVOT BLOCK - BUSHED OUTLINE

 THIRD ANGLE PROJECTION	DRAWN: WKS 010329 SCALE: 0.50	CHECKED: GLJ 010329 SIZE: C	APPROVED: GMS F010329B BASE NUMBER: 0664036-0000-00	DWG TYPE: SHT 1 SHT 1 SHTS
--	----------------------------------	--------------------------------	--	-------------------------------

