

INNOVATIONS IN ACCESS

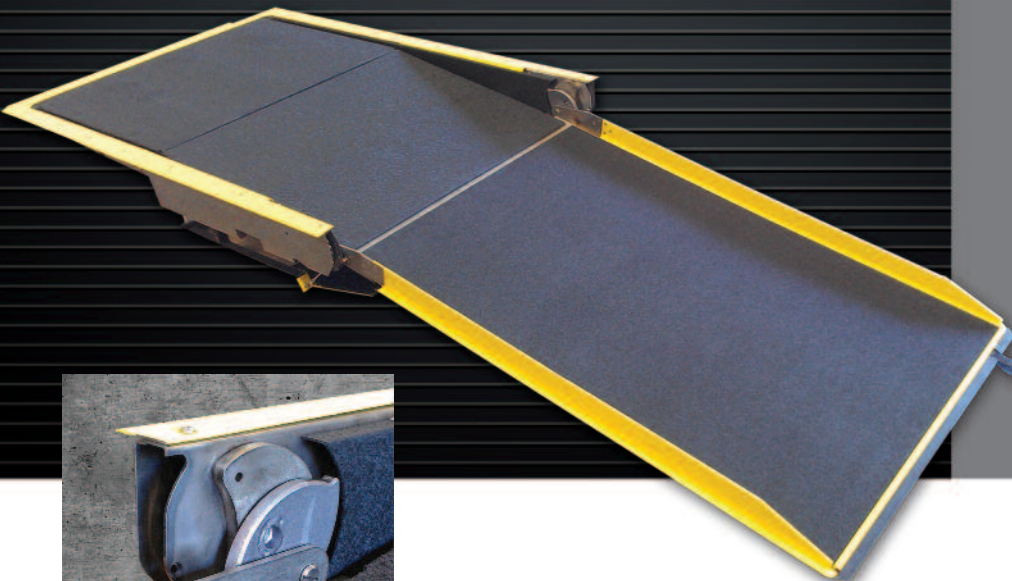


UNIQUE CAM-BASED DESIGN DELIVERS LEAST-SLOPE PERFORMANCE FOR EASIER ACCESS TO LOW-FLOOR BUSES

The unique, patent-pending cam-based design of the FoldOver[®] 621SA model ramp automatically adjusts to bus stop conditions to provide the least possible, continuous slope and the easiest access for wheeled mobility aided passengers. Compact and simple to operate, this innovative Ricon design is available in three ramp configurations and complies with all applicable ADA requirements.

- Multi-slope performance
- Fully-electric drive system
- Optional carbon fiber platform
- 1,000 lb capacity
- Easy to operate and maintain
- Rugged stainless steel enclosure

NEW FOLDOVER[®] 621SA MULTI-SLOPE LOW-FLOOR BUS RAMP WITH OPTIONAL CARBON FIBER PLATFORM



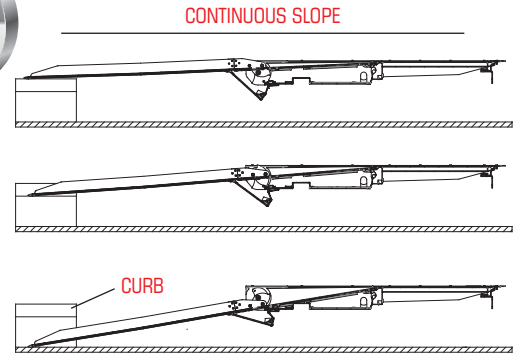
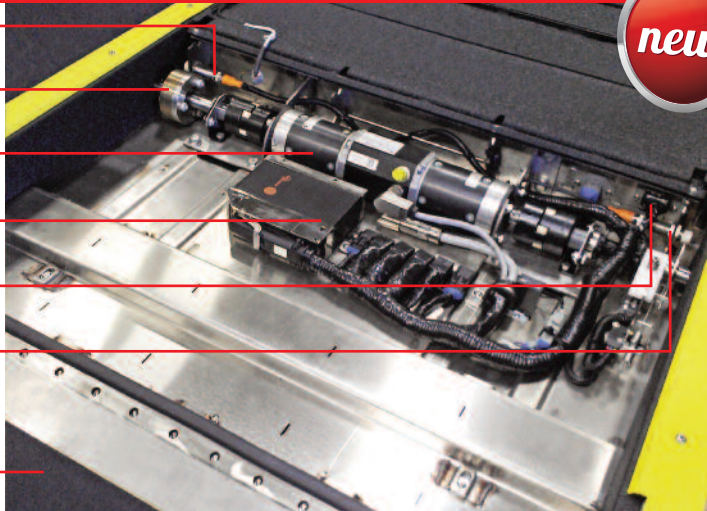
The rugged Ricon FoldOver[®] 621SA ramp features a unique cam-based design that automatically adjusts to provide the easiest access possible.



FOLDOVER® 621SA-MODEL MULTI-SLOPE LOW-FLOOR BUS RAMP



PROXIMITY SENSOR
ADJUSTMENT COUPLER
DRIVE SYSTEM
MOTOR CONTROLLER
INTERLOCK INTERFACE
PROXIMITY SENSOR
RAMP PLATFORM

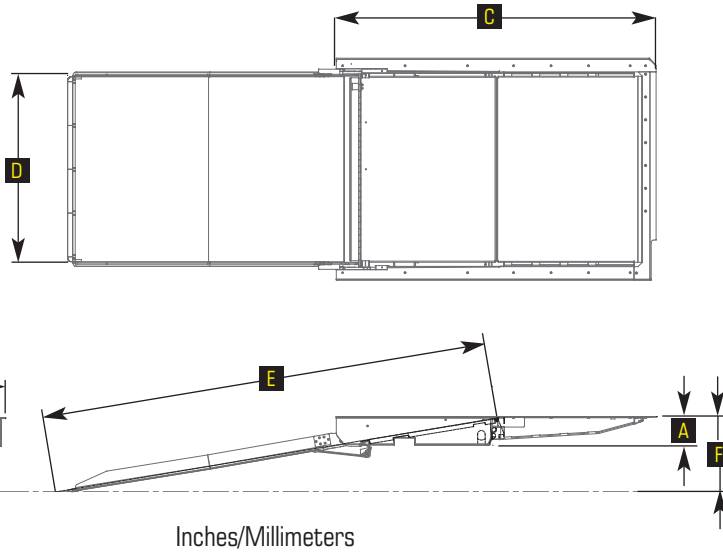


FEATURES:

- Automatically adjusts to bus stop conditions to provide the least possible, continuous slope and the easiest access for passengers using wheeled mobility aids
- Unique ramp platform design provides high flexural rigidity while low torsional stiffness helps edge alignment with uneven curb or road surfaces
- Brushless DC Motor for quiet, reliable operation
- Water-resistant controls with stainless steel enclosure and drive chain for years of service in extreme environments
- 2 years parts and labor
- Optional carbon fiber platform

Drive System.....Electro-Mechanical
Prime Mover24VDC Brushless Permanent Magnet Electric Motor
Power Requirements:
Voltage24VDC
Stand-By Current0.6A
Operating Current5A
Rated Load CapacityUp to 1,000 lbs. / 453kg
Ramp Weight210 lbs. / 95kg

MADE IN THE U.S.A.



MODEL	A	B	C	D	E*	F**
	Ramp Frame Height	Ramp Trim Width	Ramp Trim Length	Usable Platform Width	Effective Ramp Length	Floor-to-Ground Travel
621SA-0	4.5/114	35.6/904	51.4/1306	30/762	71.9/1826	12/305
621SA-1	4.5/114	35.5/903	47.4/1204	30/762	68.0/1727	11.1/281
621SA-2	4.5/114	37.1/942	51.4/1306	32/813	71.9/1826	12/305

NOTE: Ramp may be configured to meet specific requirements.

NOTE*: The effective ramp length takes into account the allowable vertical transitions. Actual length will be slightly shorter.

NOTE**: In applications where the vertical height exceeds the specified amount, the length of the unit must be increased to maintain the 1:6, rise over run relationship.

CONTACT:

West: Justin Millikan 916-206-7456
Central: Peter Buckley 847-226-8102
East: Mike O'Neill 847-224-5087
Canada: J-F Viau 438-868-7093



Ricon Corporation
1135 Aviation Place, San Fernando, CA 91340
1-800-322-2884