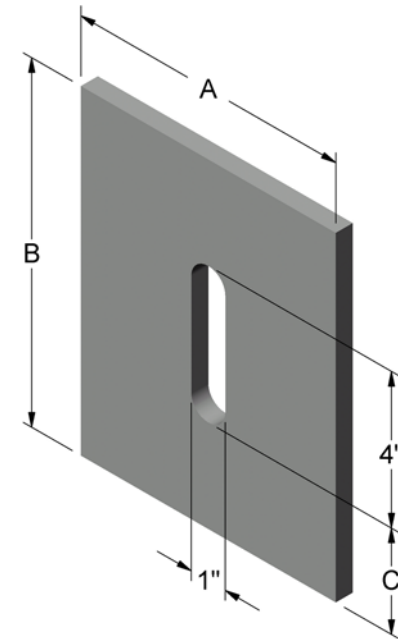


# Type-4 Column Wear Plates (Weld Only - Slotted)

Wear Plate Part Number By Thickness		Dimensions		
3/8	1/2	A	B	C
5706-402	5708-402	5	8 1/2	2 1/4
5706-403	5708-403	5 1/2	8 1/2	2 1/4
5706-404	5708-404	5 1/2	8 3/4	2 3/8
5706-406	5708-414	7 1/2	8 15/16	2 15/32
5706-405	5708-406	7 1/2	9 7/16	2 23/32



Material: Hot wrought carbon steel bar, quenched and tempered to 365-415 BHN.

Finish: 85% scale free.

All wear plates flat within .025" TIR.

For application, see section 4-C.

Always Use Original  
Barber Parts



Wabtec, Standard Car Truck

6400 Shafer Court – Ste 450, Rosemont, Illinois 60018, U.S.A.  
Telephone: 847-692-6050 Fax: 847-692-6299

Not A  
Controlled  
Document